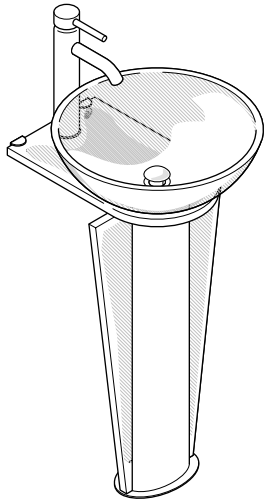
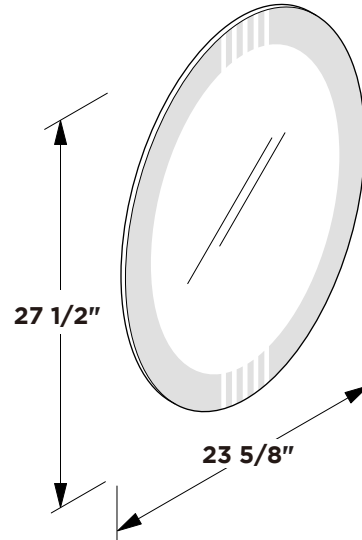
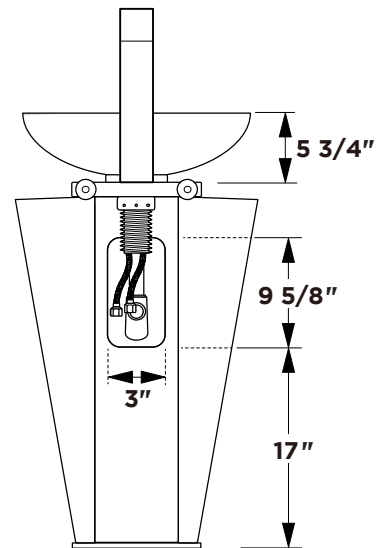
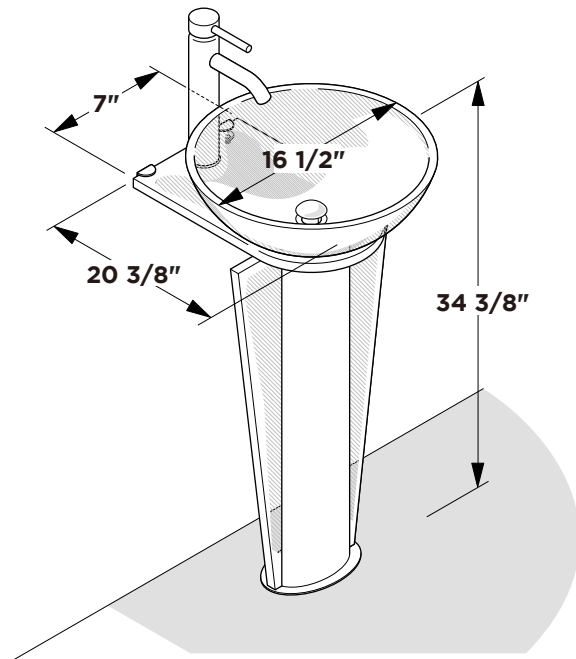


Mirror



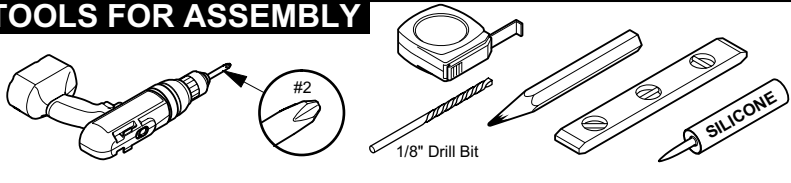
Vanity Front

Vanity Back

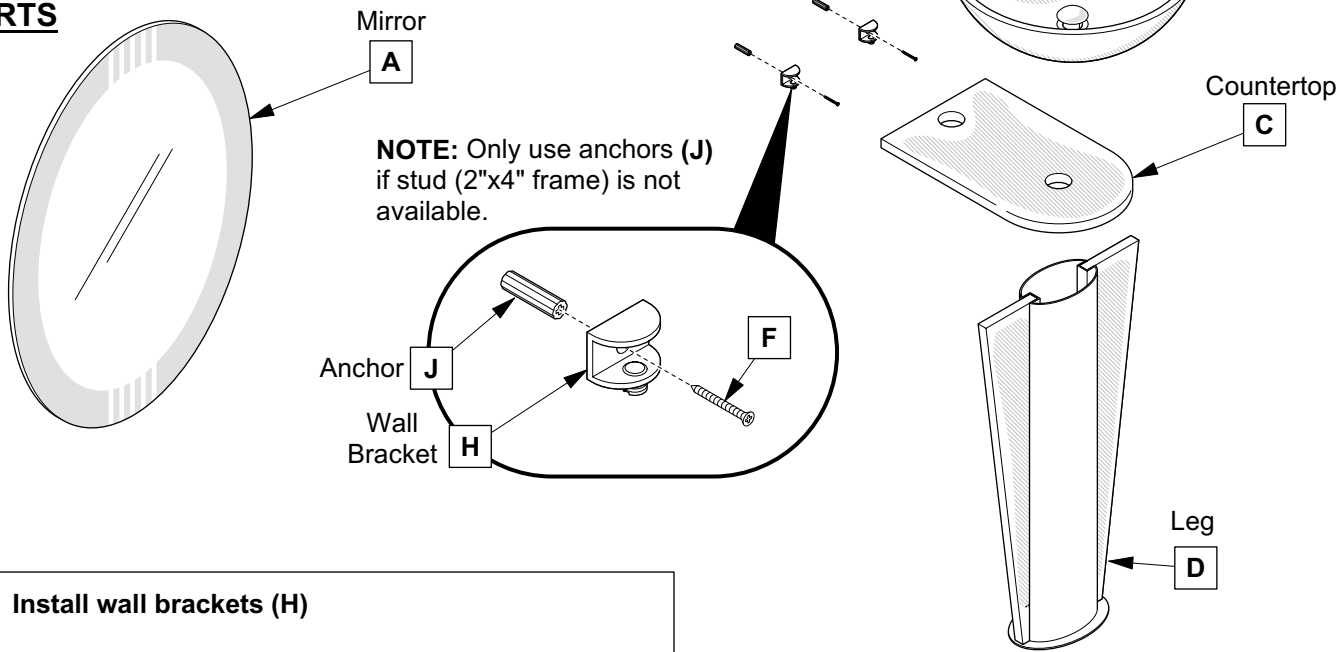


Note: All dimensions and specifications are approximate and subject to change without notice.

TOOLS FOR ASSEMBLY



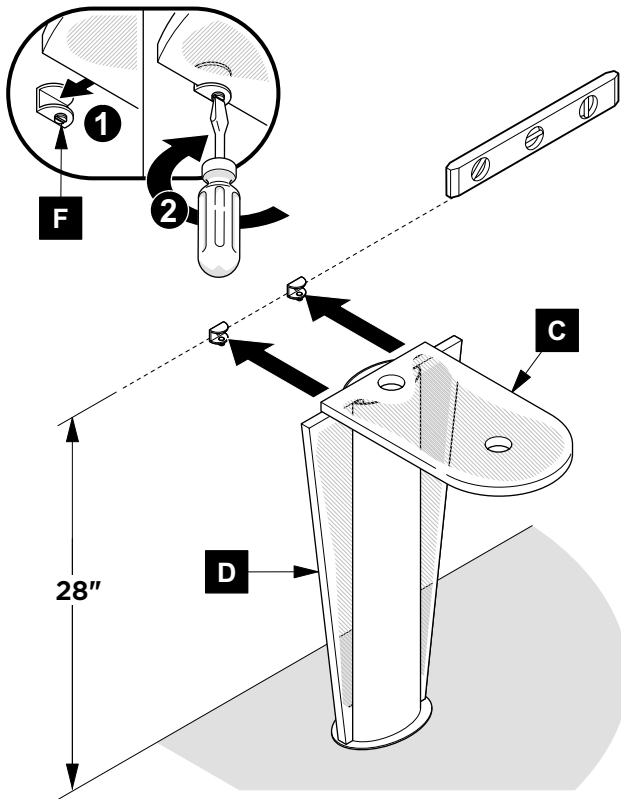
PARTS



1 Install wall brackets (H)

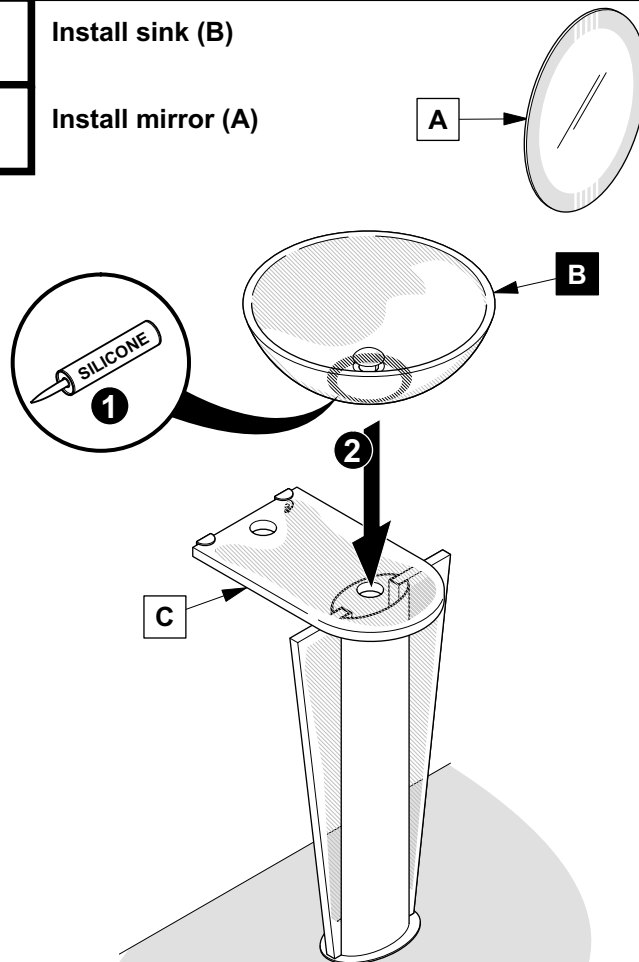
IMPORTANT: Consult an expert for the proper screws/bolts to use when attaching to various wall constructions. Screws provided **do not** attach to all wall construction types.

2 Locate leg (D) and install countertop (C)

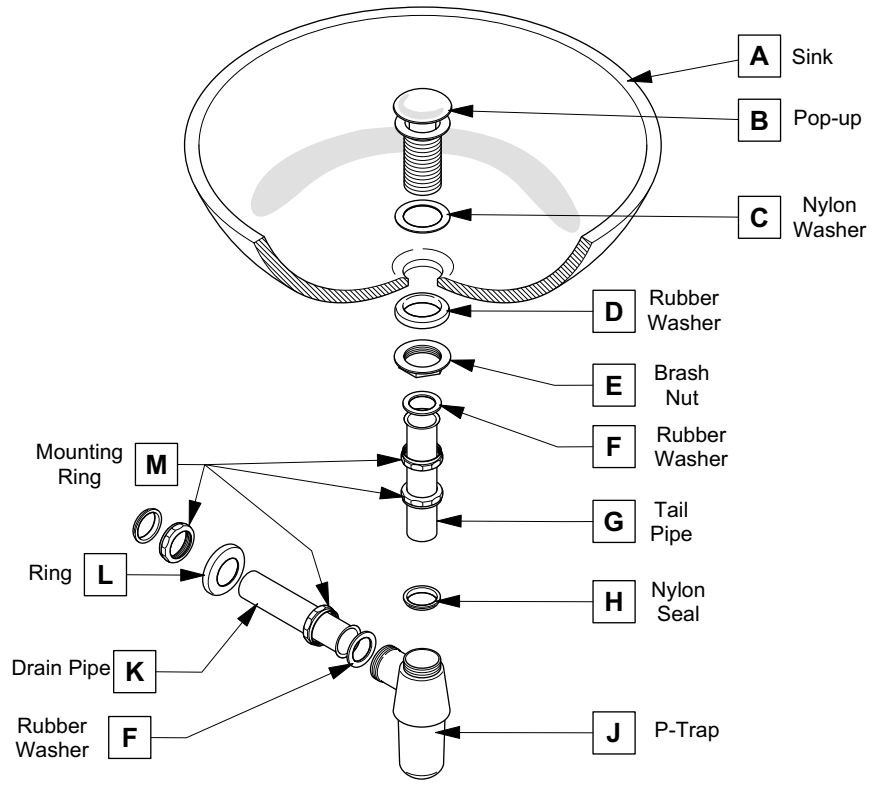


3 Install sink (B)

4 Install mirror (A)

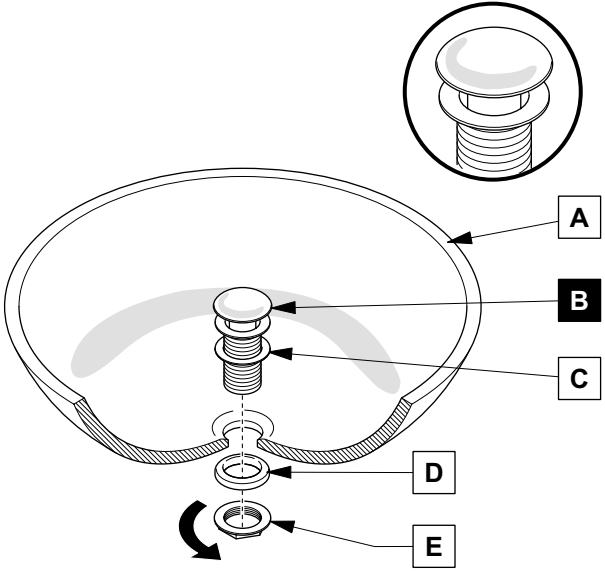


P-TRAP AND POP-UP INSTALLATION INSTRUCTIONS



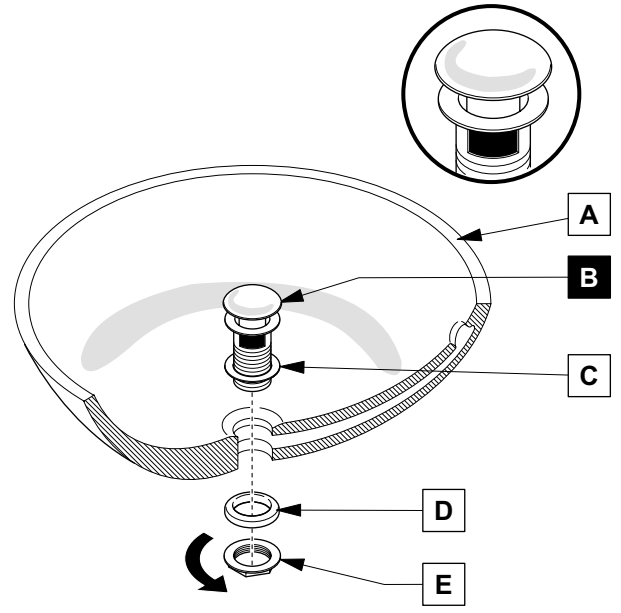
POP-UP INSTALLATION

FOR SINKS WITHOUT OVERFLOW



OR

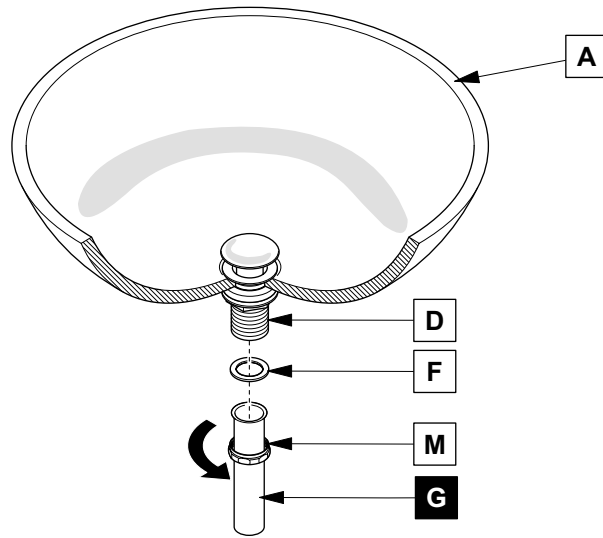
FOR SINKS WITH OVERFLOW



P-TRAP INSTALLATION

1

Install tail pipe (G)



2

Install p-trap (J)

