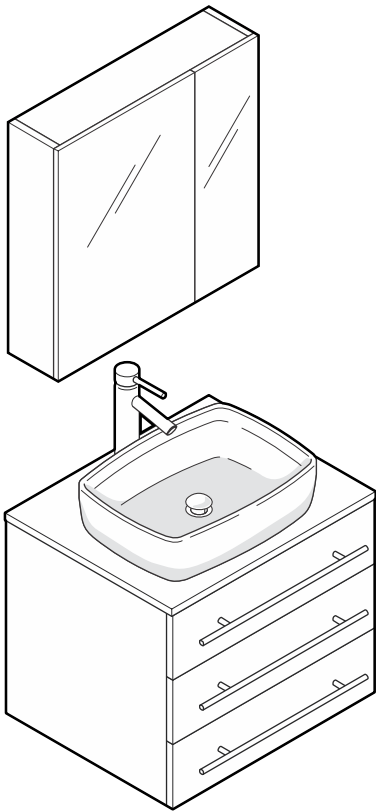
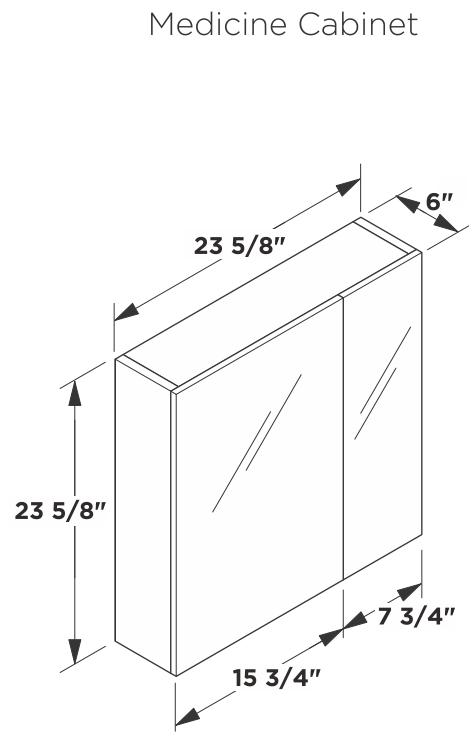


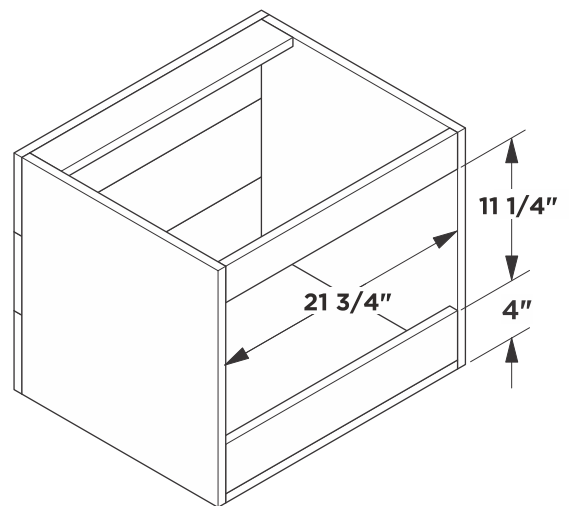
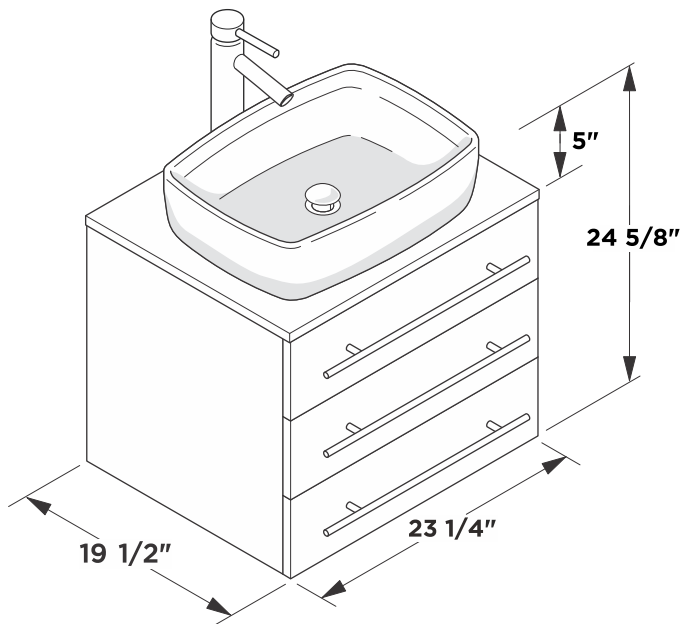
FVN6185
MODELLA
INSTALLATION GUIDE



Vanity Front



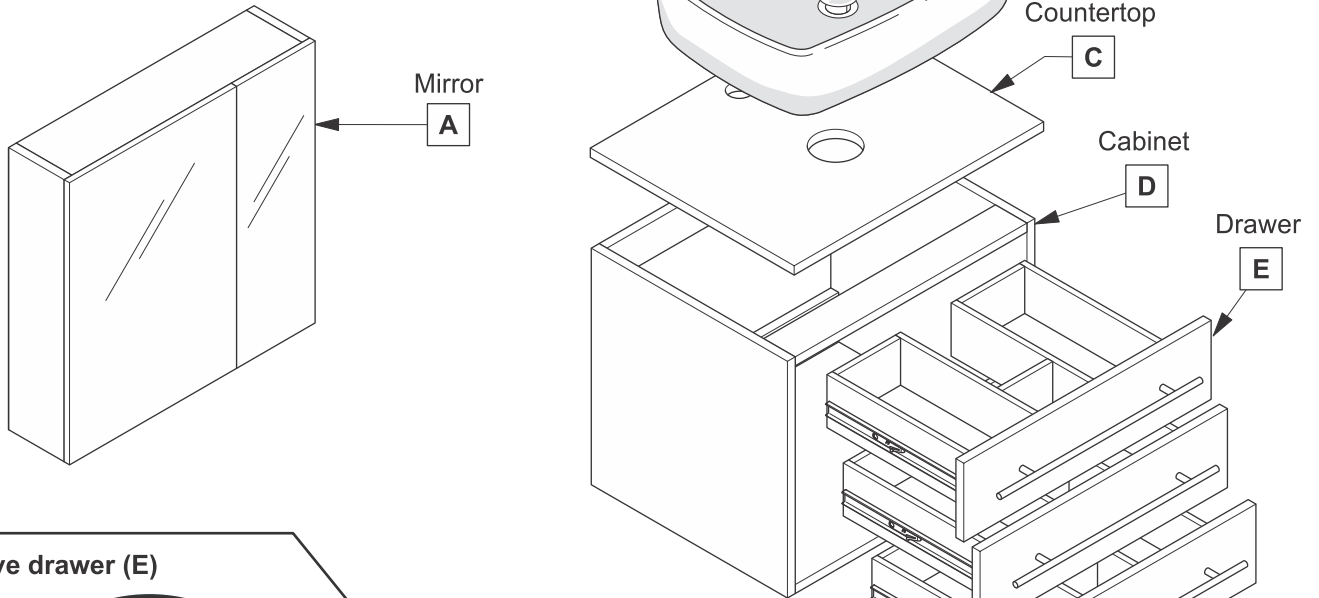
Vanity Back



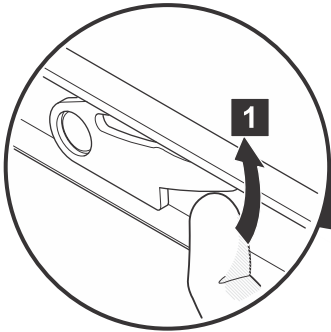
TOOLS FOR ASSEMBLY



PARTS



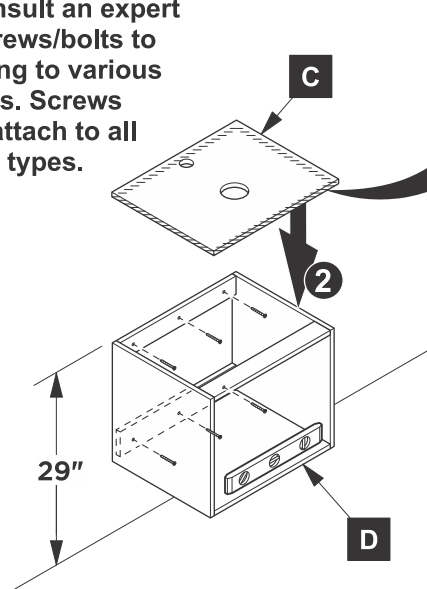
1 Remove drawer (E)



2 Install cabinet (D)

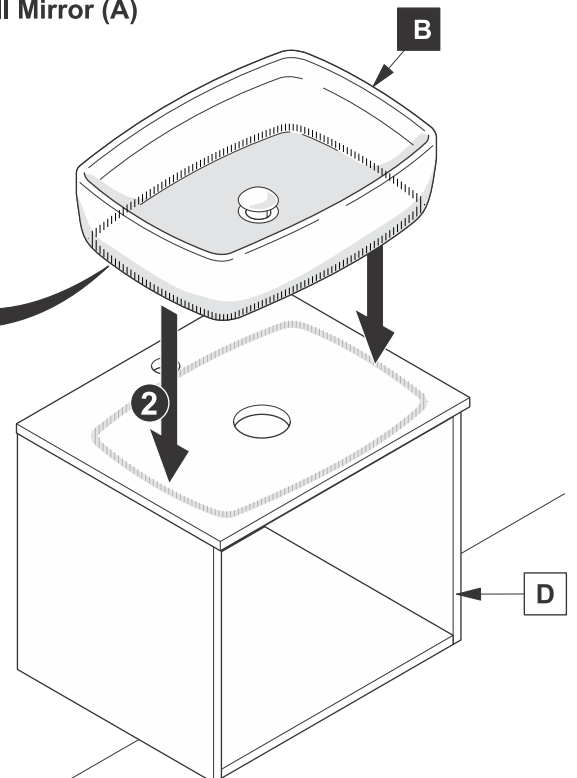
3 Apply silicone and install countertop (C)

IMPORTANT: Consult an expert for the proper screws/bolts to use when attaching to various wall constructions. Screws provided do not attach to all wall construction types.



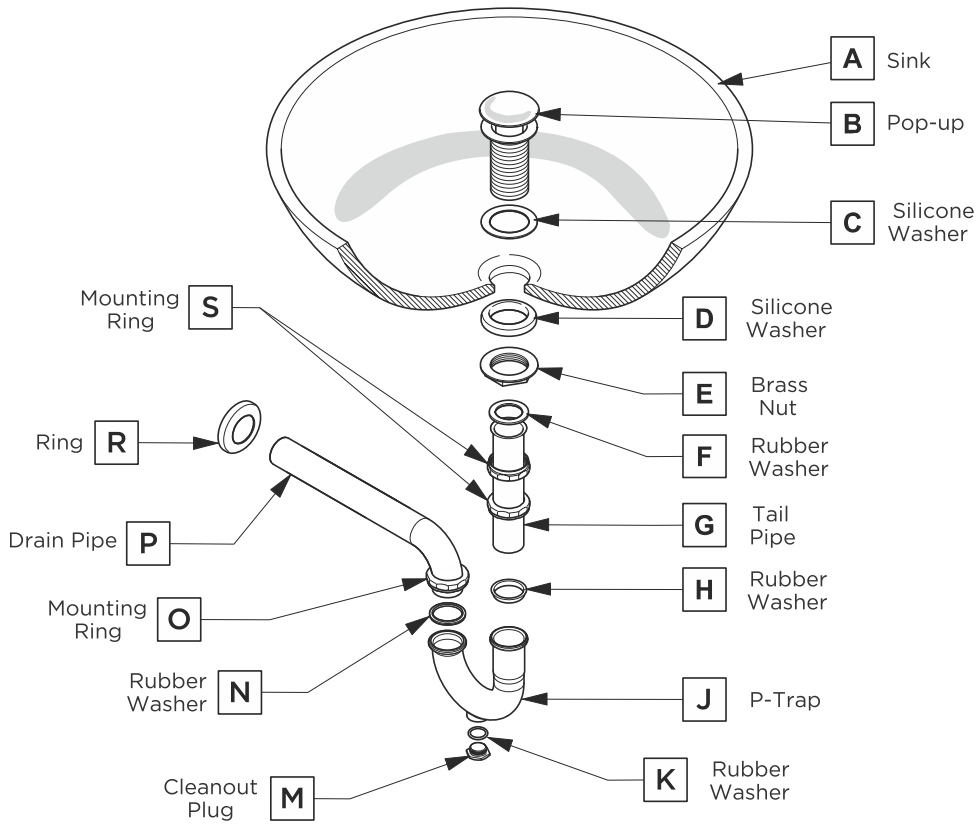
4 Apply silicone and install sink (B)

5 Install Mirror (A)



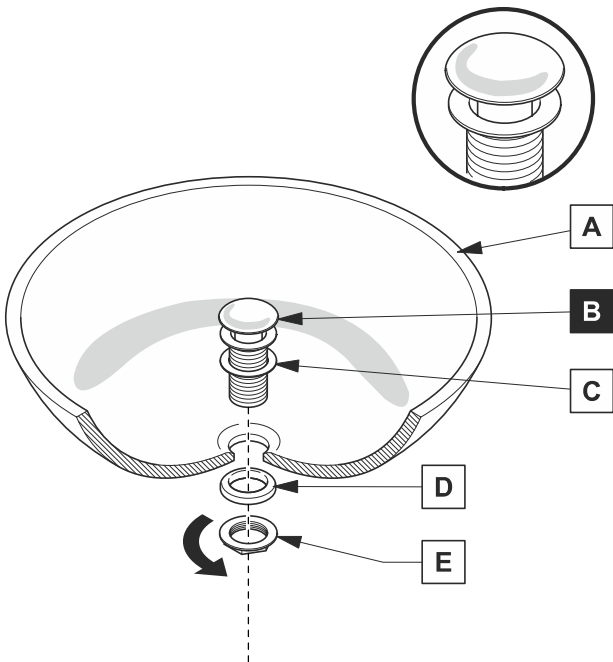
P-TRAP AND POP-UP INSTALLATION INSTRUCTIONS

Your item may appear slightly different from the illustration



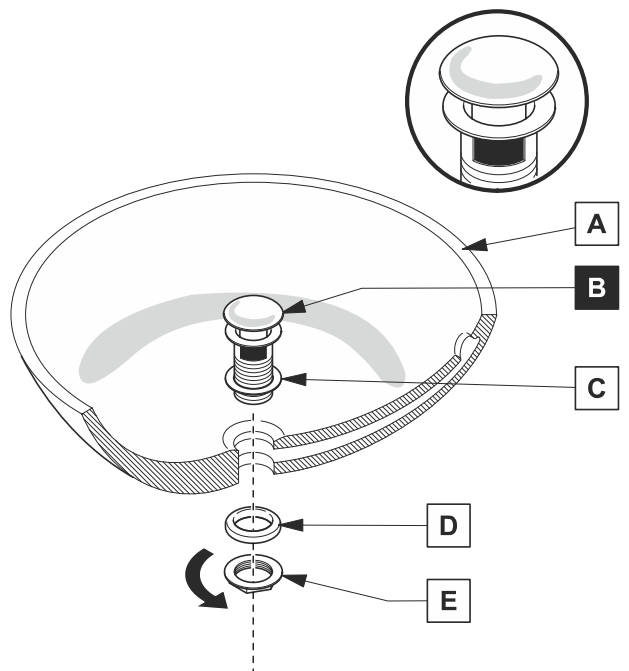
POP-UP INSTALLATION

FOR SINKS WITHOUT OVERFLOW



OR

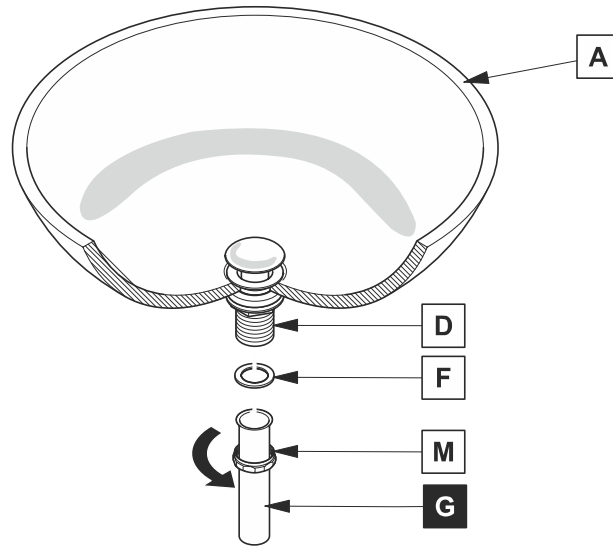
FOR SINKS WITH OVERFLOW



P-TRAP INSTALLATION

1

Install tail pipe (G)



2

Install p-trap (J)

